

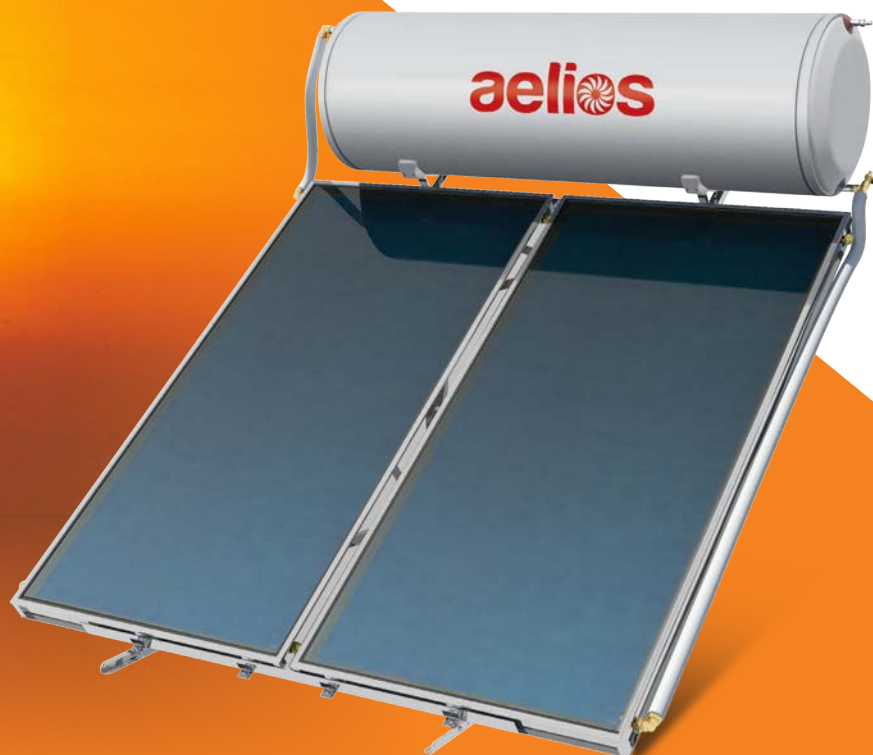


*Efficiency and reliability, every day!*

## SOLAR WATER HEATERS

*Cost-effective  
proposal of high  
performance!*

**aelios®**



# aelios®



*New aesthetics approach*  
*Cost-effective proposal of high performance*  
*Ample hot water, money and energy savings*

Solar Water Heaters Aelios Series for a more cost-effective proposal of high performance and aesthetics. Available only in GLASS LINE version.

The boiler comes with metallic side caps offer a new aesthetic approach. The collector with new aluminum profile design is available in selective or black painted absorber, selective series CuS and black painted series CuB accordingly.

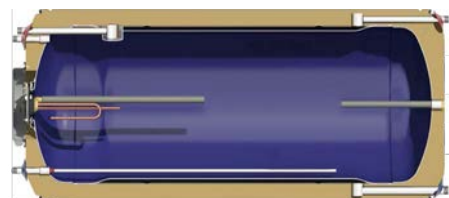


*New design aluminum profile collector with selective or black painted absorber*

## TECHNICAL SPECIFICATIONS

### WATER TANK

- External housing of prepainted steel
- Water tank of cold rolled steel with a double internal layer of enamel (GLASS) \*
- Ecological high-density thermal insulation of expanded polyurethane
- Anticorrosion protection
- Antifreeze protection
- Real nominal capacity
- Color: grey / other
- ABS UV PROOF external decorative caps



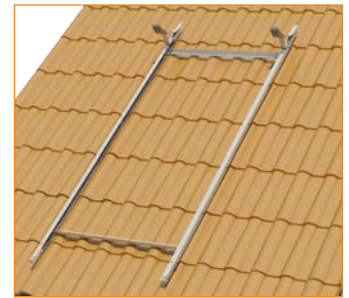
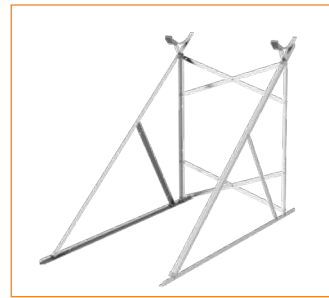
### COLLECTOR

- Selective (CuS) or Black Painted (CuB) complete area absorber, laser welded
- Tempered solar glass panel, with a stable coefficient of expansion and high light transmittance
- High density, eco-friendly thermal insulation
- Colour: aluminum / other



## SUPPORT BASE

One type of support base system, made of 2.5mm thick galvanised steel, for installation on **flat** or **inclined** surfaces



### AVAILABLE MODELS IN DOUBLE OR TRIPLE ACTION

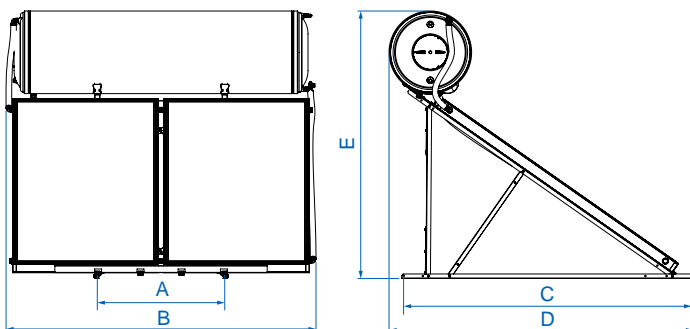
#### AELIOS CUS - AELIOS CUB

160lt /2.0m <sup>2</sup>	160lt /2.6m <sup>2</sup>	160lt /3.0m <sup>2</sup>	200lt /2.0m <sup>2</sup>	200lt /2.6m <sup>2</sup>	200lt /3.0m <sup>2</sup>	200lt /4.0m <sup>2</sup>	300lt /4.0m <sup>2</sup>	300lt /6.0m <sup>2</sup>
--------------------------	--------------------------	--------------------------	--------------------------	--------------------------	--------------------------	--------------------------	--------------------------	--------------------------

**AVAILABLE ALSO IN SHORT HEIGHT TYPE**

## DIMENSIONS (in cm)

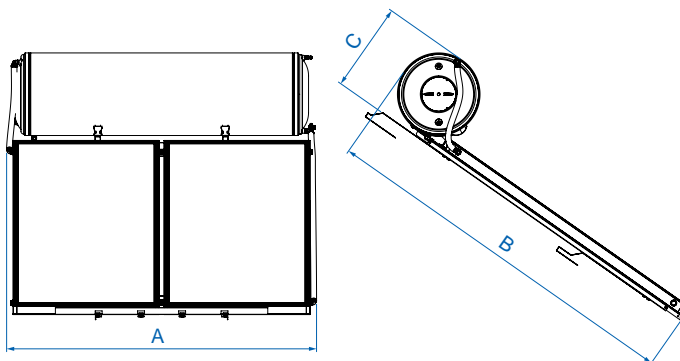
### FLAT SURFACE



TYPE	A	B	C	D	E
120lt/2.0m <sup>2</sup>	70	112	203	215	189
160lt/2.0m <sup>2</sup>	90	117	203	215	189
160lt/2.6m <sup>2</sup>	90	141	203	215	189
160lt/3.0m <sup>2</sup>	90	219	153	170	160
200lt/2.0m <sup>2</sup>	90	141	203	215	189
200lt/2.6m <sup>2</sup>	90	140	203	215	189
200lt/3.0m <sup>2</sup>	90	219	153	170	160
200lt/4.0m <sup>2</sup>	90	219	203	215	189
300lt/4.0m <sup>2</sup>	90	219	203	215	189
300lt/6.0m <sup>2</sup>	90	325	203	215	189

## DIMENSIONS (in cm)

### INCLINED SURFACE



TYPE	A	B	C
120lt/2.0m <sup>2</sup>	112	261	63
160lt/2.0m <sup>2</sup>	118	261	63
160lt/2.6m <sup>2</sup>	142	261	63
160lt/3.0m <sup>2</sup>	219	211	63
200lt/2.0m <sup>2</sup>	141	261	63
200lt/2.6m <sup>2</sup>	141	261	63
200lt/3.0m <sup>2</sup>	219	211	63
200lt/4.0m <sup>2</sup>	219	261	63
300lt/4.0m <sup>2</sup>	219	261	63
300lt/6.0m <sup>2</sup>	325	261	63

The coach screws used for tile roofs are placed in 70cm, 85cm, 95cm or 117cm (width) distance from each other and along the length of the solar water heater in C distance.



*Efficiency and reliability, every day!*

## SOLAR WATER HEATERS



**NOBEL INTERNATIONAL EAD**  
SOLAR WATER HEATING SYSTEMS INDUSTRY

48 Vitosha Blvd., Elin Pelin 2100 - Sofia Region, Bulgaria  
Tel.: +359 2 4210232 email: info@nobel.bg

[www.nobel.bg](http://www.nobel.bg)

