

Efficiency and reliability, every day.



Electric water heaters

ELECTRIC WATER HEATERS

Meet the needs for fast and efficient hot water supply. They are specially designed for durability in areas with high level of water hardness.

Also available with heat exchanger for connection with an auxiliary energy source.

SPECIFICATIONS (common for all types)	
OPERATION VOLTAGE	230 V
MAXIMUM OPERATING PRESSURE	10 bar
TEST PRESSURE	15 bar
MAXIMUM OPERATING TEMPERATURE	90°C



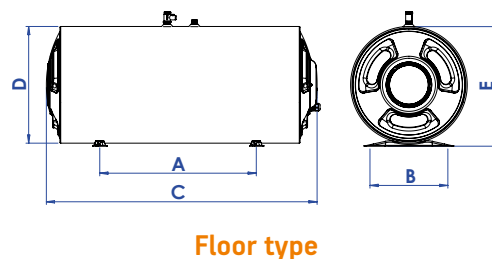
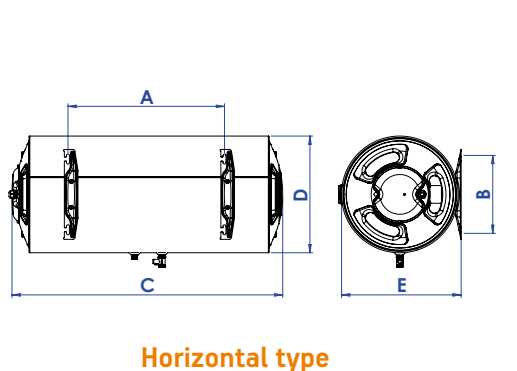
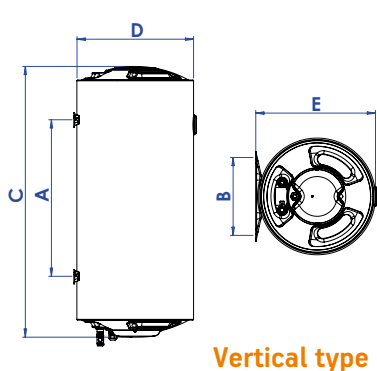
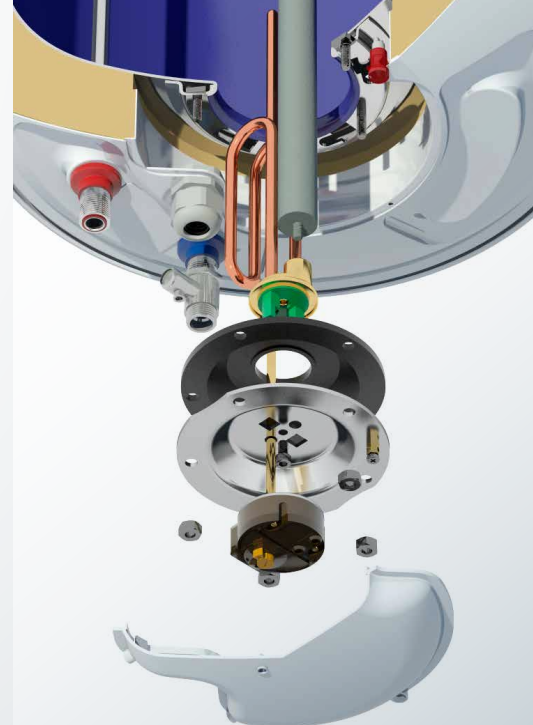
TECHNICAL DATA

Steel and enamel water tank (GLASS)

- **Water storage tank** made of cold rolled steel. The thermal tank is shaped in special patterns by robot welding process, thus achieving: **A)** perfect enamel application, **B)** real capacity, **C)** avoid the deformation of the internal tank as well as the enamel erosion in case of high pressure.
- **Double internal layer of enamel** baked at 860°C, according to DIN 4753 standard, for protection against electrolysis. The enameling is done in our own high tech industrial facilities. The water tanks are checked individually upon exit from the enameling unit assuring the top quality of the enamel.
- **Hot water outlet (consumption):** stainless steel ½" BSP male threaded pipe end with plastic adapter.
- **Cold water inlet (supply):** special shaped ½" BSP male threaded divider, for even water stratum.
- **10 bar non-return valve** for safe and controlled hydraulic pressure relief.
- **Steel pressed neck for the heating element** without welding, with internal incision for easy and quick heating element installation, no need for special tools (locknuts). Extraction and re-installation of the heating element in less than one minute.
- **Full bodied gasket** for sealing the heating element from the thermal tank, thus protecting the heating element flange from electrolysis and corrosion.
- **Heating element** rated according to the country of destination local regulations. It can be pulled away from the flange*.
- **Heat exchanger** with ¾" BSP female threaded pipe ends, made of stainless steel hose, large exchange surface for use of the heating produced by central heating systems during the winter **(optional)**.
- **Cathode protection** by magnesium anode Ø22x150mm for effective internal protection against corrosion and mineral deposits caused by electrolytic reactions.
- **Adjustable thermostat** with bipolar protection and auxiliary fuse.
- **Protective cover for the electrical section** designed for easy access. It locks with just one screw. Ventilation holes specially designed for safe water vapor aspiration.
- **Sealed entry** of the heating element connection cable, with a rubber collar on the cable.
- **Operation indication light.**

- **Thermal insulation:** ecological high-density (40kg/m³) expanded polyurethane ensures minimum heat loss, maintaining the hot water temperature.
- **Insulation thermal conductivity:** $\lambda=0.023$ W/m K (DIN 56612, measured at 10°C) (DIN EN ISO 845, DIN 53 421, ISO 4590, DIN ISO 2796).
- **External housing** with electrostatically robotized painted steel for protection against corrosion.
- **Side plastic caps**
- **Water tank seating base** of double hanging brackets, of 2mm steel for easy and secure installation.
- **Thermometer**
- **Mounting:** vertical, horizontal or floor.
- **Packed in carton boxes** for safe and easy storage - transportation.

* The electric power varies between 1200W and 4000W depending on the EWH capacity.
All electrical components carry the CE marking according to EN 60335-1 and EN60335-2-21 standards.



AVAILABLE MODELS

TYPE		DIMENSIONS (cm)				
Electric water heaters	Electric water heaters with heat exchanger	A	B	C	D	E
8lt	-	23	19	43	23	24
20lt	-	25	26	51	32	33
40lt	-	18	26	56	43	44
50lt	-	18	26	61	43	44
60lt	60lt	27	26	69	43	44
80lt	80lt	43	26	84	43	44
100lt	100lt	58	26	99	43	44
120lt	120lt	73	26	119	43	44
150lt	150lt	105	26	145	43	44
200lt	200lt	76	26	133	52	54

Upon request, we undertake the manufacturing of customized (in terms of product dimensions) electric water heaters, maintaining the specifications of our standard product.



VA-12/15



NOBEL INTERNATIONAL EAD
SOLAR WATER HEATING SYSTEMS INDUSTRY

48 Vitosha blvd., Elin Pelin 2100 - Sofia region, Bulgaria Tel.: +359 2 4210232 e-mail: info1@nobel.gr Website: www.nobel.bg